

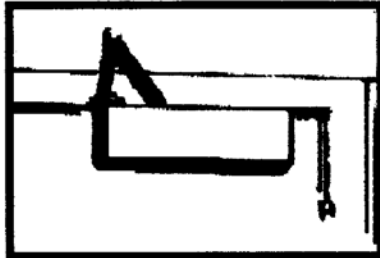


C.R. LAURENCE CO., INC.
 Phone Toll Free (800) 421-6144
 Fax Toll Free (800) 262-3299
 Locations to serve the Industries
 Throughout North America & Europe
 Website Address: www.crlaurence.com

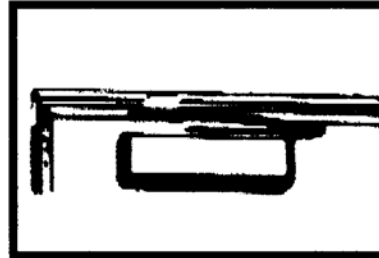
PR90 SERIES DOOR CLOSER INSTALLATION INSTRUCTIONS

PR90 DROP PLATE TEMPLATING

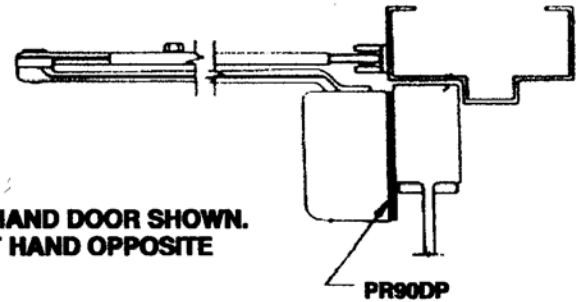
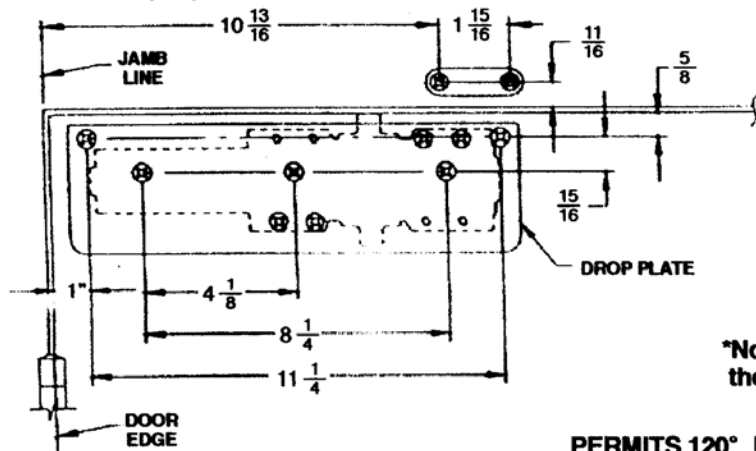
REGULAR MOUNT (PULL SIDE)



PARALLEL MOUNT (PUSH SIDE)



PR90DP (18) DROP PLATE - PULL SIDE

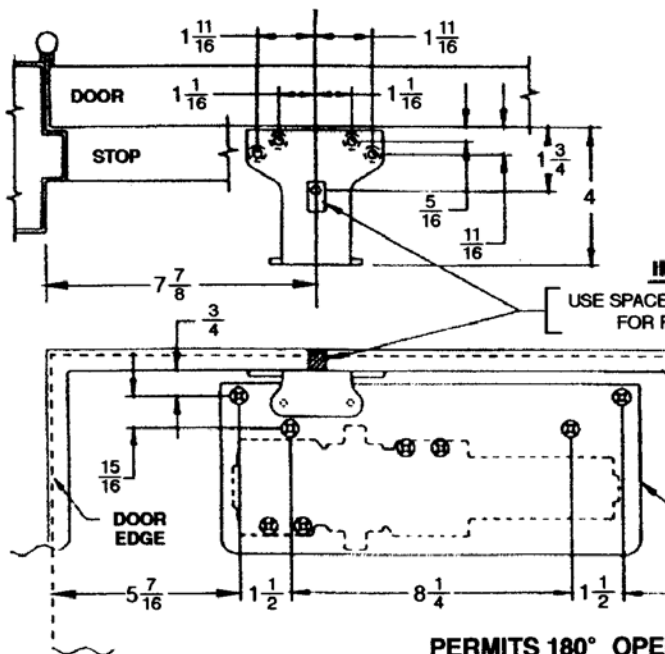


RIGHT HAND DOOR SHOWN.
LEFT HAND OPPOSITE

*Note: If pivots are used. Increase these dimensions by 1/8".

PERMITS 120° MAXIMUM OPENING

PR90DPPA (18PA) DROP PLATE - PARALLEL ARM

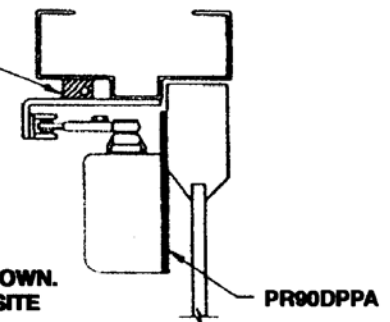


IMPORTANT

BEFORE INSTALLING CLOSER. TURN BACKCHECK SELECTOR VALVE (FOUND ON OPPOSITE SIDE OF CLOSER FROM REGULATING SCREW SIDE) ALL THE WAY IN (CLOCKWISE)

IMPORTANT

USE SPACER BLOCK PROVIDED FOR FIFTH SCREW. 1/2 OR 5/8



LEFT HAND DOOR SHOWN.
RIGHT HAND OPPOSITE

PERMITS 180° OPENING, BUTT SIZE 5x5 MAXIMUM

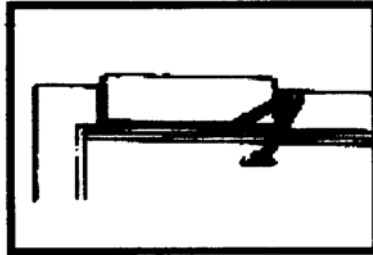


C.R. LAURENCE CO., INC.
 Phone Toll Free (800) 421-6144
 Fax Toll Free (800) 262-3299
 Locations to serve the Industries
 Throughout North America & Europe
 Website Address: www.crlaurence.com

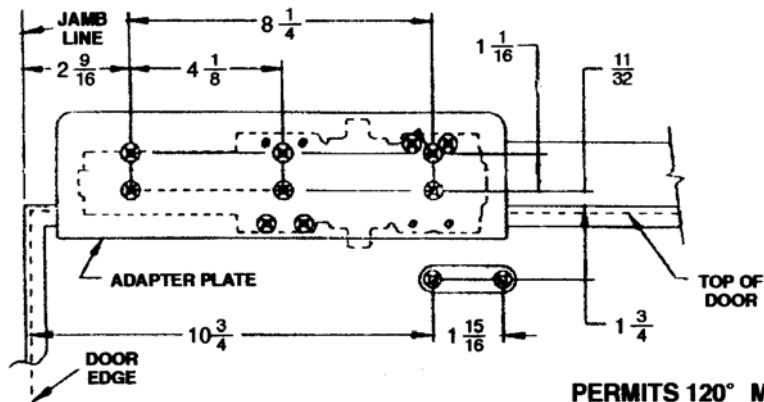
PR90 SERIES DOOR CLOSER INSTALLATION INSTRUCTIONS

PR90 DROP PLATE TEMPLATING

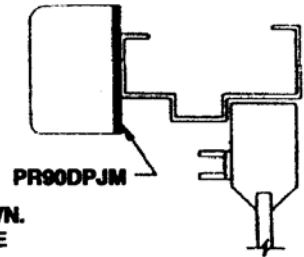
TOP JAMB MOUNT (PUSH SIDE)



PR90DPJM (18TJ) DROP PLATE - PUSH SIDE



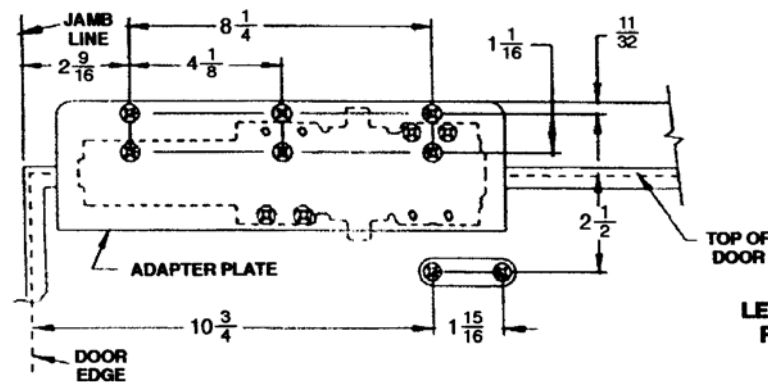
MAXIMUM REVEAL = $2 \frac{3}{8}$ "
 FOR REVEALS $2 \frac{7}{16}$ " ~ $4 \frac{5}{8}$ "
 USE OPTIONAL EXTENDED ROD NO. PR90AXT



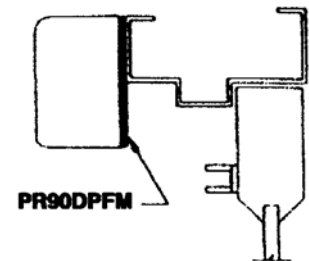
LEFT HAND DOOR SHOWN.
 RIGHT HAND OPPOSITE

PERMITS 120° MAXIMUM OPENING

PR90DPFM (18G) DROP PLATE - PUSH SIDE



MAXIMUM REVEAL = $2 \frac{3}{8}$ "
 FOR REVEALS $2 \frac{7}{16}$ " ~ $4 \frac{5}{8}$ "
 USE OPTIONAL EXTENDED ROD NO. PR90AXT



LEFT HAND DOOR SHOWN.
 RIGHT HAND OPPOSITE

PERMITS 120° MAXIMUM OPENING